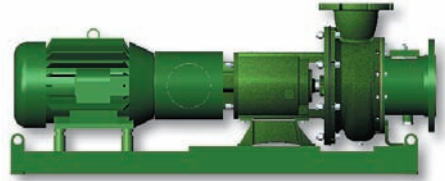




# Horizontal

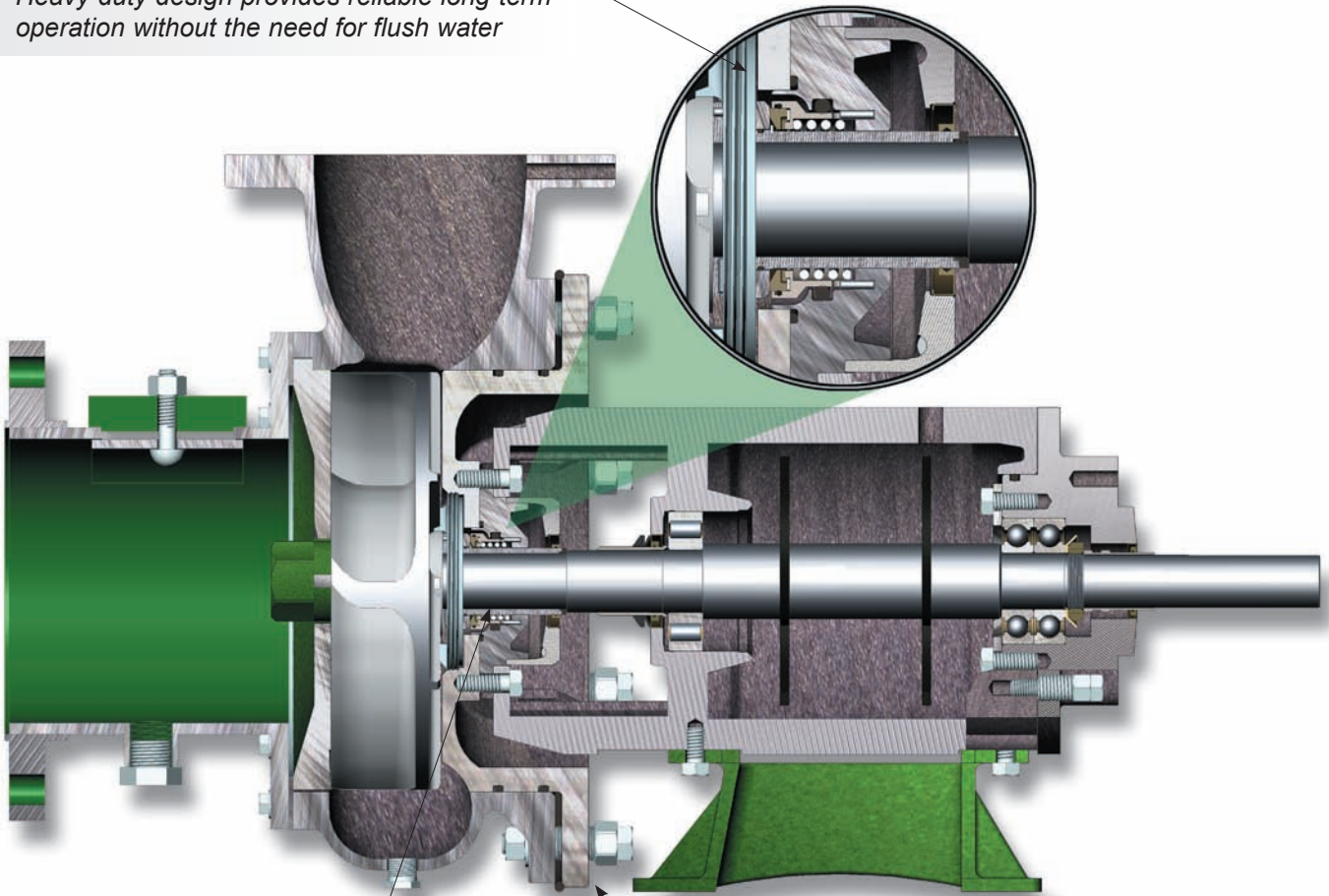
## E-Series “Flushless”



- Flushless design eliminates the need for flush water
- Heavy duty cartridge mechanical seal assures dependability
- Heavy duty combined bearing frame design
- Externally adjustable cutter clearances
- Flushed seals available per request

### FLUSHLESS VAUGHAN CARTRIDGE MECHANICAL SEAL

Heavy duty design provides reliable long-term operation without the need for flush water



### ELIMINATES STUFFING BOX

No stuffing box means less chance of solids collecting in seal area

### ADJUSTABLE BACK PULL-OUT CASING

Allows external adjustment of BOTH impeller-to-cutter bar and impeller-to-upper cutter clearances without disconnection from piping